

Technical Data Sheet

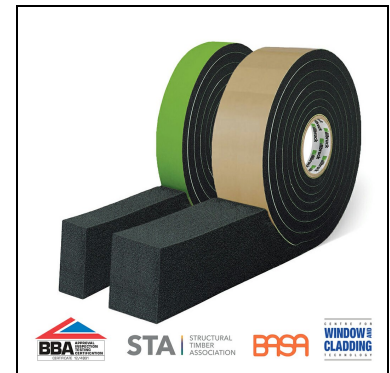
## TP450

### TP450 NG Compriband Timber Max

06-03-2026 / V 1

#### Description

TP450 NG is a soft and flexible open cell polyurethane foam, impregnated with an acrylic based, UV stabilised resin with large joint size tolerance for large movement applications. The resin is water repellent and contains a fire retardant. TP450 NG is BBA accredited (BBA Certificate N° 12/4891 Product Sheet 5), and has a self-adhesive side to aid initial location, it is easy to apply in any weather. Additionally, TP450 NG has both thermal and acoustic insulation properties.



#### Features and Benefits

- Minimum 450 Pa weather resistance to EN 1027.
- Accommodates up to 37 mm of joint movement within a maximum 50 mm wide gap.
- Weather seal for wind-driven rain but breathable for vapour diffusion.
- Can accommodate differential movement on timber frame construction up to 5 storeys.
- Seals effectively – no remedial visits or wet sealants.
- Continually expands and contracts to accommodate movement whilst still sealing the joints.
- Long life expectancy.

#### Usage Purpose

TP450 NG provides a weather tight seal against the most severe combinations of wind and rain, with particular suitability for sealing the head and sills of windows installed in timber frame construction and can accommodate up to 37 mm of differential movement within a max. 50 mm wide joint. Extensively tested with BBA accreditation, TP450 NG has a proven reputation across both the UK and Europe.

#### Packaging

Supplied as pre-compressed rolls with a self-adhesive side to aid initial location.

#### Available Colour

Anthracite

#### Shelf Life

2 years when stored in its original unopened containers.

#### Storage

Store rolls horizontally between +1°C and +20°C in dry conditions and away from direct sunlight. Re-seal packaging between use to prevent expansion during storage.

Technical Data Sheet

## TP450

### TP450 NG Compriband Timber Max

#### TP450 NG Tape Sizes

Tape Width / Joint Depth (mm)	Tape Thickness / Joint Width (mm)	Roll Length (m)	Rolls per box
14	4-10	5.8	121.8
15	7-15	3.3	66
25	11-24	5.2	41.6
40	13-40	5.2	36.4
50	13-50	5.2	31.2

#### Technical Characteristics

Driving Rain Resistance	DIN 52453	The requirements of the DIN standard are met up to the described joint sizes, giving a minimum of 450 Pa.
Water Vapour Transmission	EN ISO 12572	Sd value < 0.5 m
Thermal Conductivity	DIN 52612	< 0.048 W/m.K
Compatibility With Construction Materials	DIN 52453	No signs of corrosion observed on iron, zinc, steel, galvanised steel, aluminium and copper. No adverse effects with concrete, aerated concrete, brick, some stones, PVC, Plexiglas or timber.
Service Temperature		-30°C to +60°C
Performance Guarantee		15 year warranty on performance. †
Material		Polyurethane cellular foam, impregnated with a modified flame retardant artificial resin. The external face must be covered when the thickness exceeds 30 mm to provide UV protection.

† Under the conditions specified by the manufacturers. Only valid on receipt of the correct registration documents in accordance with terms and conditions, available on request.

#### Necessary Tools

Tape measure, flat blade, cutting shears

#### Application

Before installation, measure the width of the joint and ensure the total movement, after any settlement, is within the capacity of the selected tape size (Fig 1 & 2).

Cut off the release liner and the opening wedge at the start of the roll. If installing tape into a construction joint, it may be applied either horizontally or vertically (from bottom to top); however, when applying to a door or window frame the horizontal seals must be applied before the vertical ones (Fig 4). Tape must be applied with the adhesive side to the frame when working with fenestration but may be applied in any order when working with construction joints. In both cases, do not stretch the tape. When working in damp or cold conditions a wood wedge can be used to hold the tape in position until it is expanded. Ensure the tape is recessed by a minimum of 2 mm from the front of the joint.

When calculating the length of tape to be fitted, add 20 mm/m to the actual joint length. Be sure to measure the opening and not the window. At the end of a roll, cut off the tape wedge finish. Repeat the process with a new roll, making a close compressed butt connection.

On the heads and sills of windows installed into timber frame construction with differential movement expected to occur, it is preferable to apply single lengths of TP450 NG sizes 40/13 - 40 & 50/13 - 50. If the seal is to be weather tested using the CWCT

Technical Data Sheet

## TP450

### TP450 NG Compriband Timber Max

hose test (TN41), we recommend that the tape should be allowed 7 - 10 days conditioning in the joint before testing and a minimum 25 mm wide tape should be used. Please refer to technical department for advice.

If using TP601 Compriband e to seal the window jambs (in conjunction with TP450 NG Compriband Timber Max to head and sill), cut and apply the TP601 Compriband e to the full height dimension of the frame. Cut and apply the TP450 NG Timber Max to span the full opening width, thereby covering the cut ends of the TP601 Compriband e. Ensure that the front (external) edges of both products are positioned in the same plane to achieve a continuous seal (as shown in Fig. 4).

For applications where the TP450 NG will exceed 30 mm thickness in service, the face of the tape should be covered using a suitable cover trim to improve the aesthetics and provide UV protection to the exposed tape surface.

To prevent expansion of TP450 NG on a part-used roll use illbruck AB006 velcro belt.

#### **Please Note**

High temperatures accelerate tape expansion, while low temperatures delay this. At ambient temperatures above 20°C, the tape should be stored in a cool place on the construction site away from direct sunlight. A small fridge is ideal for this. Remaining rolls in opened boxes should be maintained in a horizontal state and weighed down to prevent lateral expansion (telescoping) of the rolls. The tape must not come into contact with chemicals containing solvents or aggressive chemicals.

The tape should be selected so that the roll width (joint depth) is at least equal to the tape thickness (joint width) in service. For applications outside of this instruction, please consult our sales office. Where the thickness dimension exceeds the tape width, the stability cannot be guaranteed.

#### **Guarantee / Warranty**

Tremco CPG UK Ltd products are manufactured to rigid standards of quality. Any product which has been applied (a) in accordance with Tremco CPG UK Ltd written instructions and (b) in any application recommended by Tremco CPG UK Ltd, but which is proved to be defective, will be replaced free of charge.

No liability can be accepted for the information provided in this leaflet although it is published in good faith and believed to be correct. Tremco CPG UK Limited reserves the right to alter product specifications without prior notice, in line with Company policy of continuous development and improvement.

#### **Health And Safety Precautions**

Safety data sheet must be read and understood before use.

#### **Technical Service**

Tremco CPG UK Limited has a team of experienced Technical Sales Representatives who provide assistance in the selection and specification of products. For more detailed information, service and advice, please call Customer Services on 01942 251400.

Technical Data Sheet

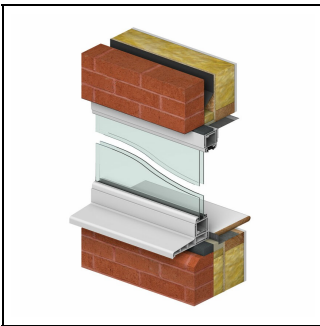
## TP450

### TP450 NG Compriband Timber Max

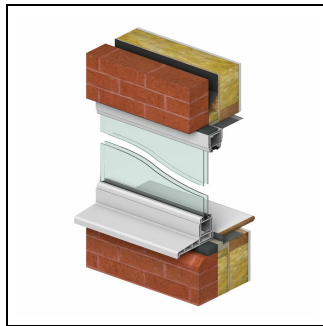
#### Certification



#### Application Images



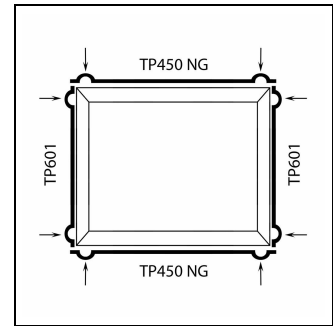
1. Location of TP450 NG Compriband Timber Max at initial installation.



2. Expansion and compression of TP450 NG Compriband Timber Max after frame movement.



3. Head of frame after settlement - TP450 to head and TP601 to jamb



4. Tape application at corners (Note: oversize length 20 mm/m)